



Features:

- Ideal for non-rising stem gate and ball and angle valves
- 360° mounting design for greater installation flexibility
- Adjustable length supervisory cord
- Cover tamper switch
- Tamper-resistant cover screws

Description:

The PSP1 anti-tamper switch is used on non-rising stem gate valves and ball and angle valves.

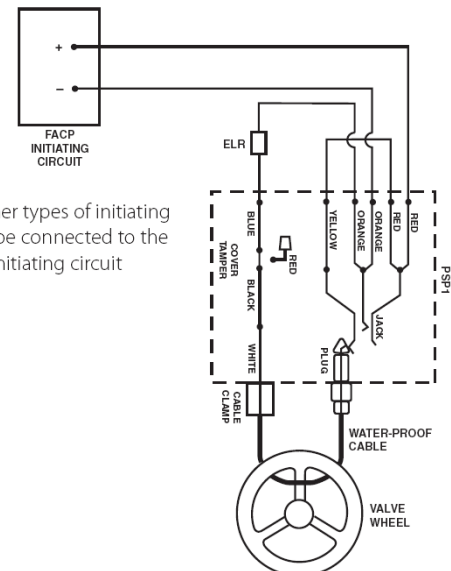
The PSP1 consists of a rugged weatherproof metal housing and may be used in either indoor or outdoor applications. It features a 360° versatile mounting design and an adjustable length cord to accommodate all installations.

The PSP1 employs a supervisory cord which, when pulled out, closes a set of normally open contacts. A lockout feature prevents reinsertion of the cord until the cover is removed, and the unit is reset. Removal of the cover or cutting of the cord results in an open circuit.

Specifications:

Dimensions:	120 mm L 75 mm W 56 mm D
Operating Temperature Range:	-20°C to 65°C
Enclosure Rating:	Indoor/Outdoor Rated
Cable:	2 wire, 2.4 m (adjustable)
Operating Voltage:	24 VDC
Maximum Operating Current:	250 mA

Connection Information:



Note: No other types of initiating device may be connected to the same FACP initiating circuit

Approvals:



afp-2316



Distributors For:



Unit 6
16 Lexington Drive
Bella Vista NSW 2153
Australia

PO Box 7026
Baulkham Hills BC
NSW 2153
Australia

tel 02 8850 2888
fax 02 8850 2999
www.firesense.com.au