



Features:

- Fully Addressable
- Loop powered
- Clear front cover
- Photo electric detection chamber
- Integrated housing
- Easy to Install
- Different sample tube lengths available

Description:

The SSF-Probe can be used with 2800 Series addressable control panels and will operate in both CLIP (99 per loop) and FlashScan (159 per loop) mode.

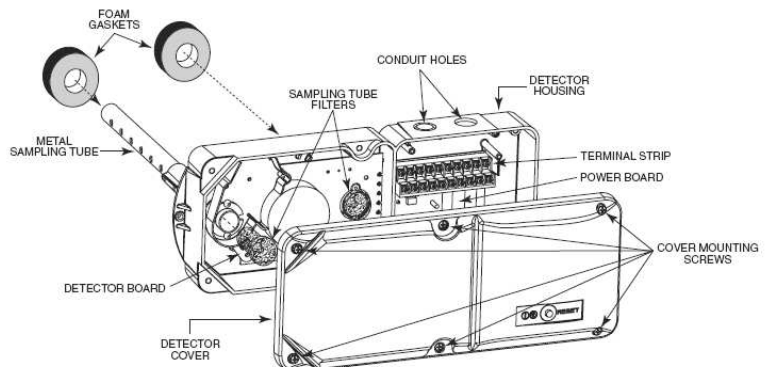
This fully addressable duct probe combines a photoelectric detector with an efficient housing design that samples air passing through the duct, allowing detection of a developing hazardous condition. When sufficient smoke is sensed, an alarm signal is initiated at the fire control panel monitoring the detector, and appropriate action can be taken to shut off fans and blowers and change over air handling systems.

Specifications:

Operating Voltage Range:	15 to 32 VDC
Standby Current:	300 μ A @ 24 VDC
Operating Humidity Range:	10% to 93% Relative humidity, non-condensing
Operating Temperature Range:	-10 ° to 131°C
Air Velocity:	0.5 to 20.32 m/sec
Dimensions:	370mm L x 140mm W x 70mm D

Sample Tubes Available:	
Item No.	Length
SS-ST3	3 Feet (91CM)
SS-ST5	5 Feet (152CM)
SS-ST10	10 Feet (305CM)

Exploded View:



Approvals:

SSL Approved	
ActivFire Listing No.	afp-1527 (Notifier Model FSD-751P)

Distributors For:



Unit 6
16 Lexington Drive
Bella Vista NSW 2153
Australia

PO Box 7026
Baulkham Hills BC
NSW 2153
Australia

tel 02 8850 2888
fax 02 8850 2999
www.firesense.com.au