



**Features:**

- LED indication
- FlashScan – 159 per loop
- 24 VDC monitored output
- Rotary wheel for ease of addressing

**Description:**

The SSF-FCM1 Addressable Control Module is intended for use on intelligent, two wire systems where the individual address of each module is selected using built-in rotary switches.

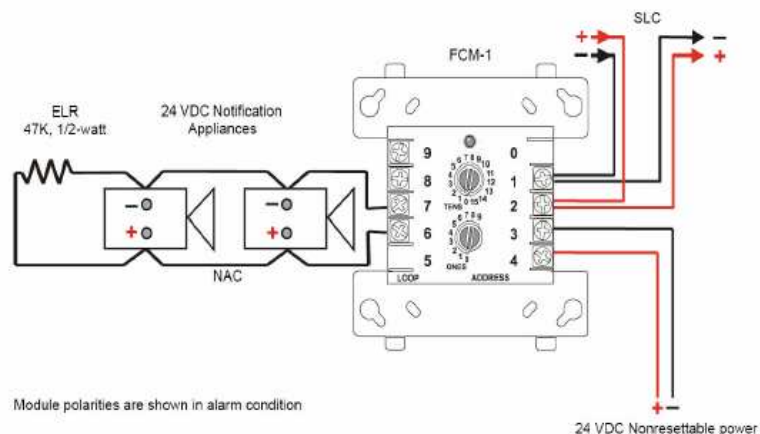
The SSF-FCM1 provides a monitored 24 VDC output suitable for powering ancillary devices such as bells, test solenoids, etc. The SSF-FCM1 requires external 24 VDC.

Each SSF-FCM1 uses one of 159 available module addresses on a loop.

**Specifications:**

<b>Nominal operating voltage:</b>	15 to 32 VDC
<b>EOL resistance:</b>	47K ohms
<b>Maximum Current Draw:</b>	5.1 mA (LED on)
<b>Temperature range:</b>	0°C to 49°C
<b>Humidity Range:</b>	10 to 93% non-condensing
<b>Dimensions:</b>	115mm H x 100mm W x 31mm D
<b>Mounting Box: (SMB500)</b>	125mm H x 125mm W x 50mm D

**Connection Information:**



**Approvals:**

SSL Approved	
<b>ActivFire Listing No.</b>	afp-1801

Distributors For:



Unit 6  
16 Lexington Drive  
Bella Vista NSW 2153  
Australia

PO Box 7026  
Baulkham Hills BC  
NSW 2153  
Australia

tel 02 8850 2888  
fax 02 8850 2999  
www.firesense.com.au