

#### Features:

- LED indication
- 99 per loop
- Easy to install
- Rotary wheel for ease of addressing
- Loop powered (When used as relay)
- Simply break tab for non monitored relay operation

#### Description:

The SSC-CMX2 control module is an addressable output module that can be used either as a relay or a supervised 24VDC output using CLIP protocol (99 detectors and 99 modules per loop).

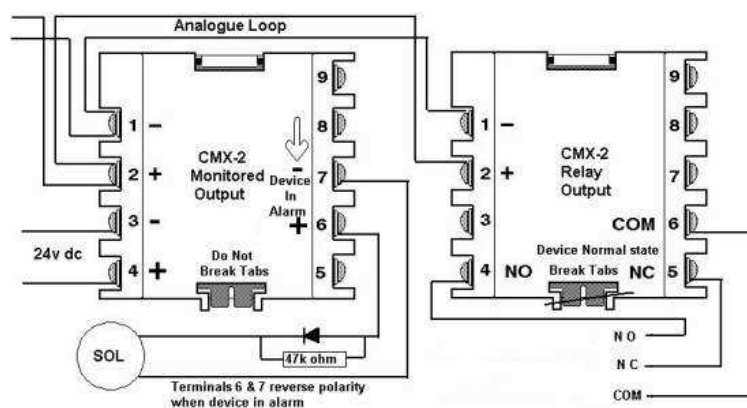
Breaking the tab on the module changes operation from monitored output to a changeover relay.

Rotary decade switches are used to set the address of each module.

#### Specifications:

<b>Nominal operating voltage:</b>	15 to 32 VDC
<b>EOL resistance:</b>	47K ohms (only required when used as a monitored output)
<b>Temperature range:</b>	0°C to 49°C
<b>Dimensions:</b>	115mm H x 100mm W x 31mm D
<b>Mounting Box (SMB500):</b>	125mm H x 125mm W x 50mm D

#### Connection Information:



#### Approvals:

<b>SSL Approved</b>	
<b>ActivFire Listing No.</b>	afp-1801

Distributors For:



G:\Documents\Datashets\Word Datashets\SSC-CMX2.Doc

RevDate: 10 June 2009

Unit 6  
16 Lexington Drive  
Bella Vista NSW 2153  
Australia

PO Box 7026  
Baulkham Hills BC  
NSW 2153  
Australia

tel 02 8850 2888  
fax 02 8850 2999  
www.firesense.com.au