



**Features:**

- Individual addresses
- Common loop input
- Quick release terminals
- DGP box ready for 1 to 4 modules
- Monitors both zone and power connections

**Description:**

The SS-XP6MA is a 6 conventional detection circuit input module for use with the FireSense 2800 Series intelligent alarm system.

A common loop input is used for all modules thus reducing field cabling. Each zone monitor operates independently from each other. Each module has its own unique address.

A pair of rotary code switches is used to set the address of the first module. The remaining modules are automatically assigned to the next 5 higher addresses. Provisions are included for disabling a maximum of two unused modules to release the addresses to be used elsewhere.

The XP6MA transmits the status of a zone of two wire detectors to the fire alarm panel. Status conditions are reported as normal, open or in alarm.

The interface module supervises the zone of detectors and the connection of the external power supply. Each module also has panel controlled green LED indicators. The panel can cause the LED's to blink, latch on, or latch off.

**Specifications:**

<b>Normal Operating Voltage:</b>	15 to 32 VDC
<b>Stand-By Current:</b>	2.0 mA
<b>Total Board Alarm Current:</b>	40 mA (assumes all LED's solid on)
<b>Temperature Range:</b>	0° C to 49° C
<b>Humidity:</b>	10 to 85% Non-condensing
<b>End of Line Resistor</b>	3K9 Ohms
<b>Dimensions:</b>	173mm H, 148mm W, 32mm D

Distributors For:

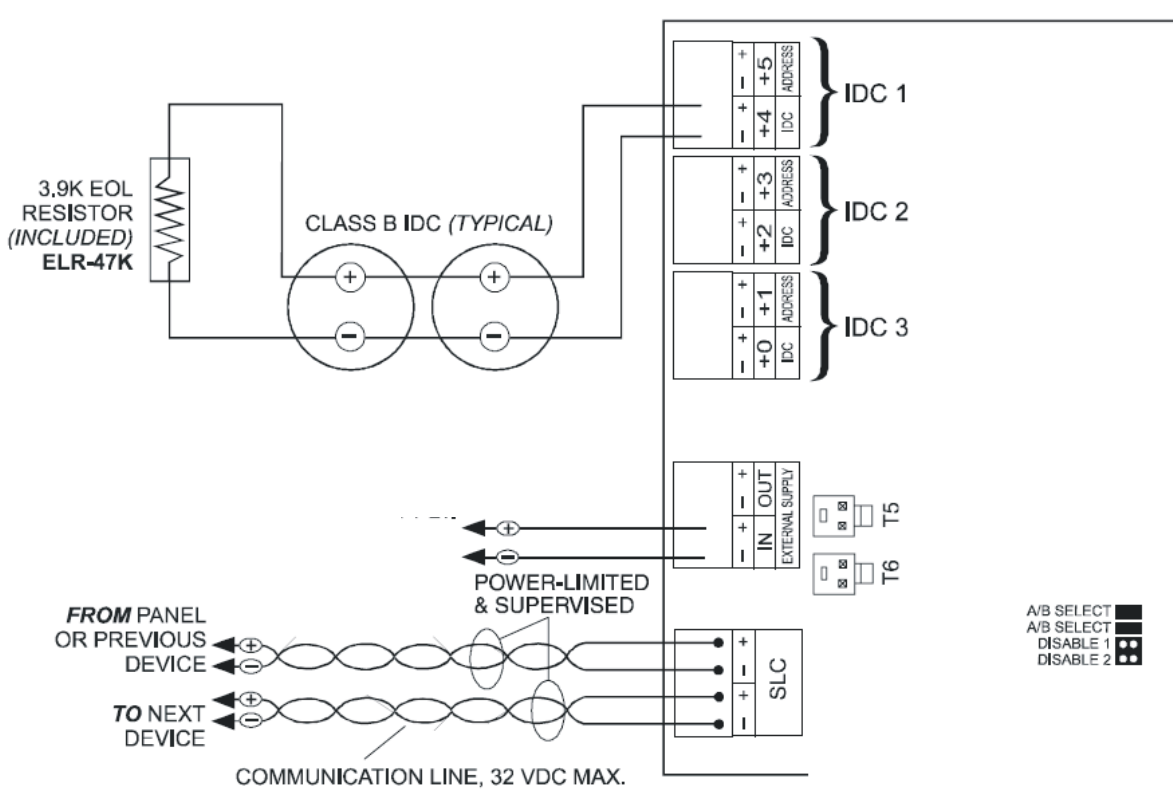


Unit 6  
16 Lexington Drive  
Bella Vista NSW 2153  
Australia

PO Box 7026  
Baulkham Hills BC  
NSW 2153  
Australia

tel 02 8850 2888  
fax 02 8850 2999  
www.firesense.com.au

**Connection Information:**



**Approvals:**

SSL Approved	
ActivFire Listing No.	afp-1459

Distributors For:



Unit 6  
16 Lexington Drive  
Bella Vista NSW 2153  
Australia

PO Box 7026  
Baulkham Hills BC  
NSW 2153  
Australia

tel 02 8850 2888  
fax 02 8850 2999  
www.firesense.com.au