

Features:

- Individual Addresses
- Common loop input
- Quick release terminals
- DGP box ready for 1 to 4 modules

Description:

The SS-XP10M is a Ten Monitor Input Module for use with the FireSense 2800 Series intelligent alarm system.

A common loop connection is used for all modules thus reducing field cabling. Each monitor operates independently from each other.

Each module has its own unique address. A pair of rotary code switches is used to set the address of the first module from 01 to 150. The remaining modules are automatically assigned to the next nine higher addresses. Provisions are included for disabling a maximum of two unused modules to release the addresses to be used elsewhere. Each module also has panel controlled green LED indicators. The panel can cause the LED's to blink, latch on, or latch off.

It is capable of monitoring 10 individual, normally open contact fire alarm and supervisory devices; or either normally open or normally closed security devices. The module has a single panel-controlled LED per unit.

Specifications:

Normal Operating Voltage:	15 to 32 VDC
Stand-By Current:	3.5 mA
Alarm Current:	55 mA (assumes all LED's solid on)
Temperature Range:	0° C to 49° C
Humidity:	10 to 85% Non-condensing
End of Line Resistor:	47K Ohms
Dimensions:	173mm H, 148mm W, 32mm D

Distributors For:

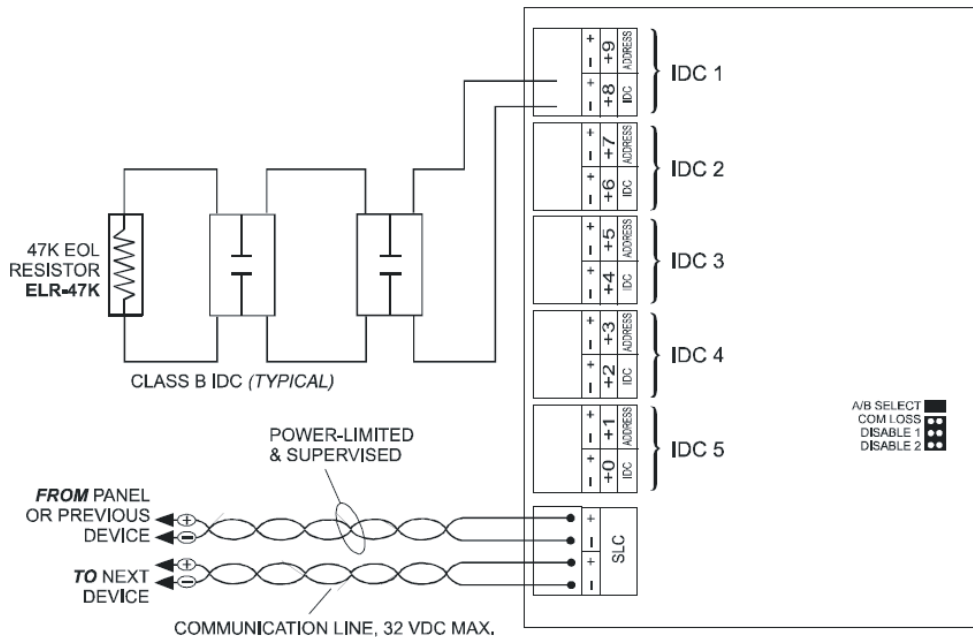


Unit 6
16 Lexington Drive
Bella Vista NSW 2153
Australia

PO Box 7026
Baulkham Hills BC
NSW 2153
Australia

tel 02 8850 2888
fax 02 8850 2999
www.firesense.com.au

Connection Information:



Approvals:

SSL Approved	
ActivFire Listing No.	afp-1459

Distributors For:



Unit 6
16 Lexington Drive
Bella Vista NSW 2153
Australia

PO Box 7026
Baulkham Hills BC
NSW 2153
Australia

tel 02 8850 2888
fax 02 8850 2999
www.firesense.com.au