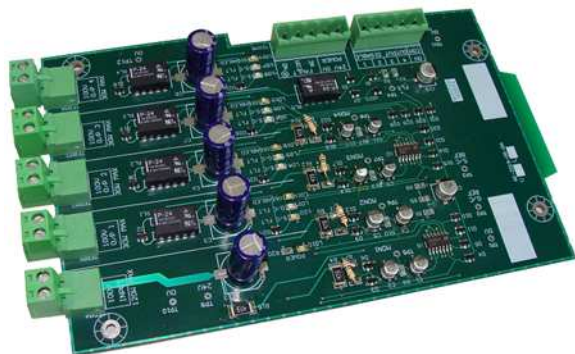


4 Way Speaker Line Monitoring Card



Features:

- 4 x Individually monitored speaker line outputs
- Monitoring for Open and Short circuits
- LED indication for each speaker line output
- Each speaker line is isolated
- Individual inputs to disable the speaker line output
- Fault output relay

Description:

The OWS-SDM-4, 4 Way Speaker Distribution Module can be used with the entire range of FireSense OWS amplifiers to provide four separately monitored 100V speaker line outputs.

This provides a great benefit when you have multiple speaker feeds coming back to one OWS amplifier.

Each speaker output line is individually monitored for S/C and O/C with a 47K end-of-line resistor and has an LED indication and common fault relay contact.

Individual speaker lines are isolated so a fault on 1 speaker line will not effect the functionality of the other speaker lines.

Each speaker line can also be disabled via an external input.

Specifications:

Supply Voltage:	20VDC to 30VDC
Current Consumption (Normal):	25mA at 24VDC
Current Consumption (Max):	100mA at 24VDC (All outputs in fault)
Rated Audio Input (Power):	120W Max
Rated Audio Input (Voltage):	200V Max
Rated Audio Output Power:	40W per Output (120W Total)
EOL Resistor:	47K

Connection Information:

Distributors For:



Unit 6
16 Lexington Drive
Bella Vista NSW 2153
Australia

PO Box 7026
Baulkham Hills BC
NSW 2153
Australia

tel 02 8850 2888
fax 02 8850 2999
www.firesense.com.au

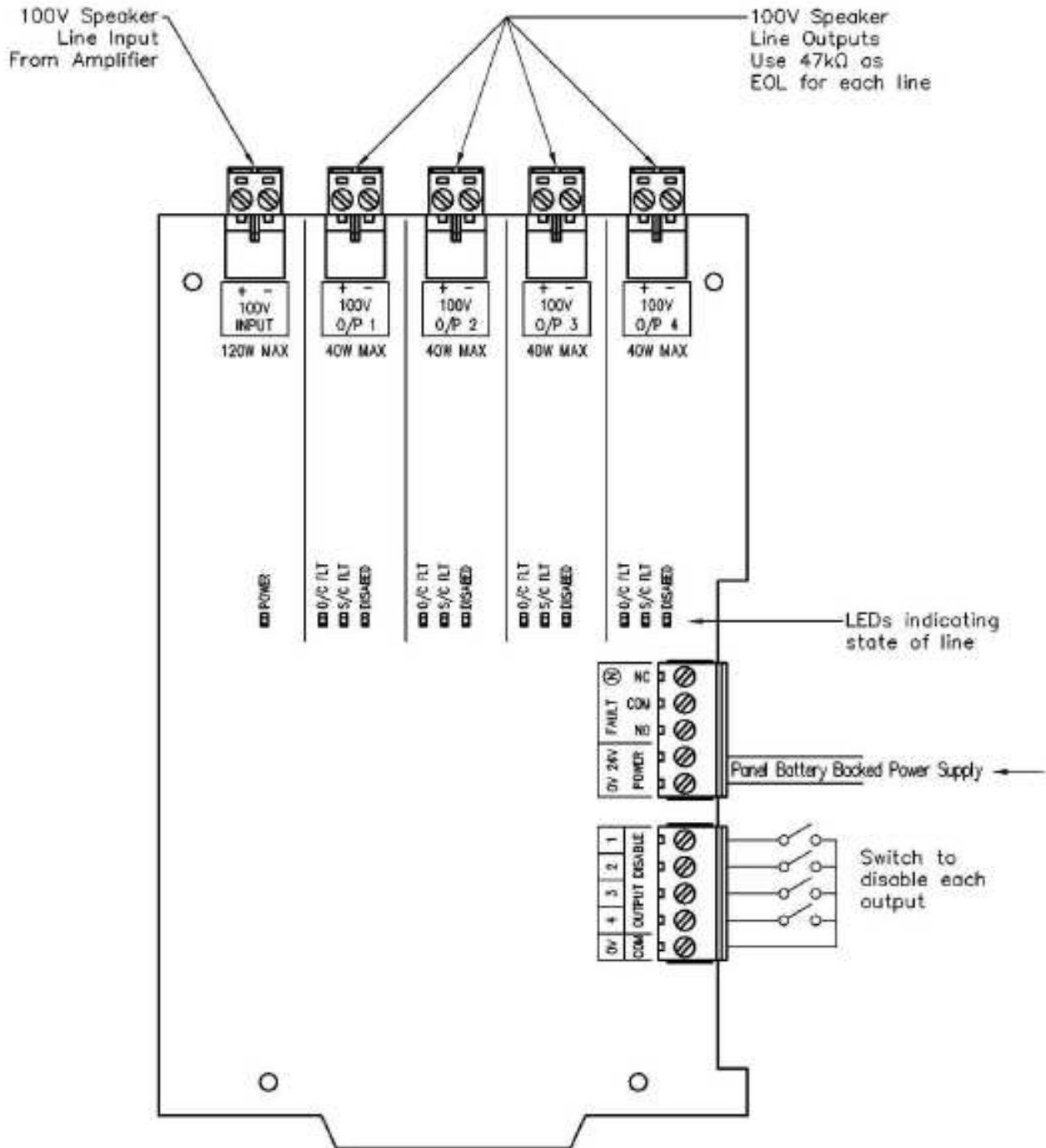


Figure 3-9 - SDM-4 Connection Diagram

Distributors For:



Unit 6
16 Lexington Drive
Bella Vista NSW 2153
Australia

PO Box 7026
Baulkham Hills BC
NSW 2153
Australia

tel 02 8850 2888
fax 02 8850 2999
www.firesense.com.au