



Features:

- 17 pre-installed tones
- 10 pre-installed speech messages
- Optional customer message module for 2 custom messages
- PA Microphone
- Inputs for Lock-down, Chime, Test and False Alarm speech messages
- Ability to synchronise tones & messages with additional OWS Amplifiers
- Fault monitoring of the 100V speaker lines
- 2-wire connection to Fire Panel
- Background music & PA analogue audio inputs
- Pre-installed test tones for ease of installation
- High efficiency Class D amplifier

Description:

The FireSense OWS-30W-SIDE, 30 Watt RMS Building Occupant Warning System is designed for use in fire alarm installations that require the addition of an OWS amplifier to meet code requirements.

The OWS-30W-SIDE simply fits into the side of the 2600 base panel and is powered from an upgraded battery backed Power Supply kit.

The OWS-30W-SIDE comes standard with a comprehensive range of tones and pre installed speech messages and has the option of fitting as OWS-CMM-2 if you need to record a custom message.

The 100v Speaker line is monitored for open and short circuits as standard and can be expanded to monitor multiple speaker feeds from one amplifier with the option of fitting an OWS-SDM-4.

Specifications:

Operating Voltage Range:	20VDC to 30VDC
Output Power:	30Watt rms continuous
Speaker Line:	100V
Current consumption :	<1.5A @ 30W RMS using tone 15
EOL Resistor:	47K

Accessories Available:

OWS-SDM-4	4 Way Speaker Line Monitoring Card (4 feeds)
OWS-CMM-2	Custom Message Module c/w PC connect audio cable
MIC-DESK	OWS Desktop Microphone with pre amp fitted

Message/Chime List:

00	Blank	
01	"Warning, the fire alarm has operated. Stand by for further instructions"	5 seconds - Male Voice
02	"Emergency! Evacuate now!"	3 seconds - Male Voice
03	"Emergency! Evacuate using the nearest fire exit"	4 seconds - Male Voice
04	"Emergency! Evacuate to the nearest assembly point"	4 seconds - Male Voice
05	"Warning, the fire alarm has operated. Stand by for further instructions"	6 seconds - Female Voice
06	"Emergency! Evacuate as directed"	3 seconds - Female Voice
07	"Attention, attention! An emergency exists. Please follow the lock down procedure"	3 seconds - Male Voice
08	"The emergency warning system is being tested"	3 seconds - Male Voice
09	"This has been a false alarm. You may return to your normal activity"	4 seconds - Male Voice
10	School bell sound	3 seconds
11	Custom recording 1 from CMM-2	
12	Custom recording 2 from CMM-2	

Distributors For:



Unit 6
16 Lexington Drive
Bella Vista NSW 2153
Australia

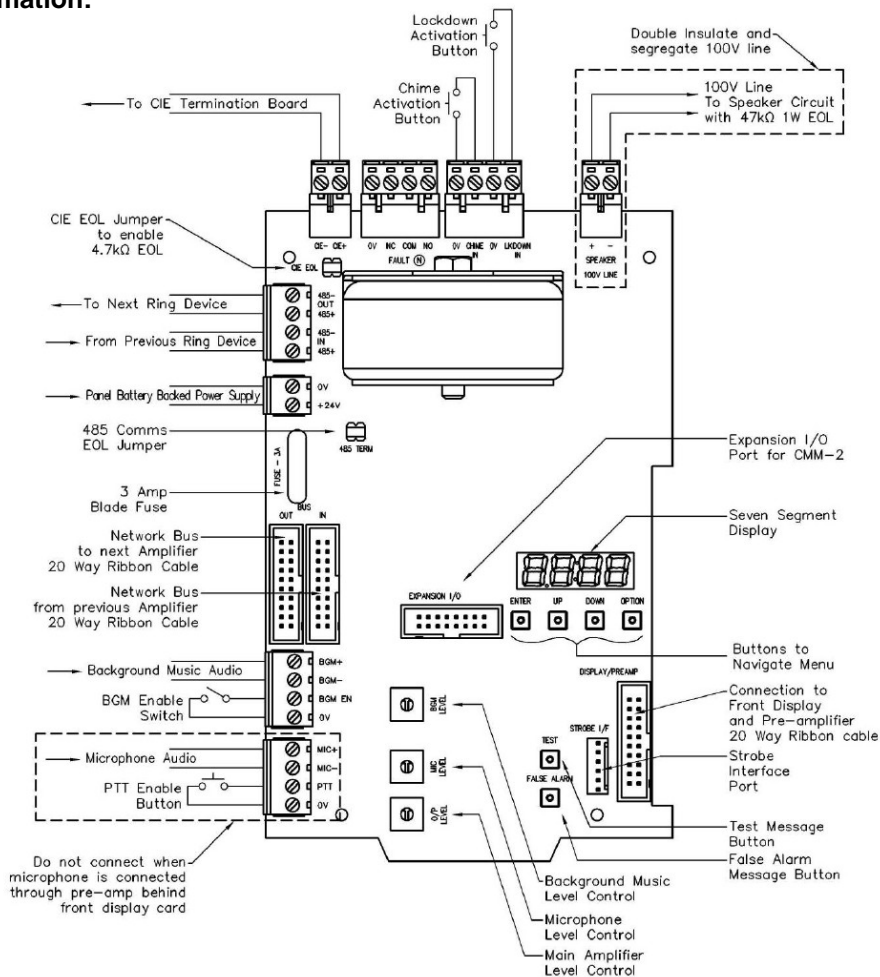
PO Box 7026
Baulkham Hills BC
NSW 2153
Australia

tel 02 8850 2888
fax 02 8850 2999
www.firesense.com.au

Tones List:

00	Blank
01	Ramping T3
02	T3 - 520Hz
03	T3 - 800Hz
04	T3 - 970Hz
05	Ramping T3 - Reverse
06	T3 - 2860Hz
07	AS2220 Alert tone NOTE: This tone does not support a speech message
08	AS2220 Evacuation tone NOTE: This tone will play the speech message twice per cycle
09	510Hz and 610Hz Alternating
10	800Hz and 970Hz Alternating
11	800Hz to 970Hz Ramping @ 2Hz
12	800Hz to 970Hz Ramping @ 1Hz
13	800Hz to 970Hz Ramping @ 0.5Hz
14	420Hz 0.625s on 0.5s off
15	520Hz continuous tone NOTE: This tone does not support a speech message
16	970Hz Continuous - Test tone NOTE: Use this tone to get a constant tone out to measure the line output voltage NOTE: This tone does not support a speech message
17	970Hz 0.5s on 3.5s off NOTE: This tone can be used during installation to test speaker connection whilst providing a minimum level of disturbance to occupants NOTE: This tone does not support a speech message

Connection information:



Distributors For:



Unit 6
16 Lexington Drive
Bella Vista NSW 2153
Australia

PO Box 7026
Baulkham Hills BC
NSW 2153
Australia

tel 02 8850 2888
fax 02 8850 2999
www.firesense.com.au