

**OWS Desktop Microphone For Paging**



**Features:**

- Desktop mounted
- Built in pre-amplifier
- Press To Talk button
- Flexible gooseneck

**Description:**

MIC-DESK is an AMX-526 desktop microphone for use for non-emergency paging on OWS systems.

It is modified to include a pre-amplifier mounted in the base of the microphone to allow the signal to be transmitted up to 100M to the main panel.

**Specifications:**

<b>Impedance:</b>	600 ohms
<b>Frequency Response:</b>	80-12KHz
<b>Sensitivity:</b>	-70dB $\pm$ 3dB
<b>Housing:</b>	Die Cast Zinc
<b>Dimensions:</b>	
<b>Width:</b>	100mm
<b>Depth:</b>	160mm
<b>Gooseneck Length:</b>	200mm
<b>Total Height:</b>	300mm

**Connection Information:**

Distributors For:

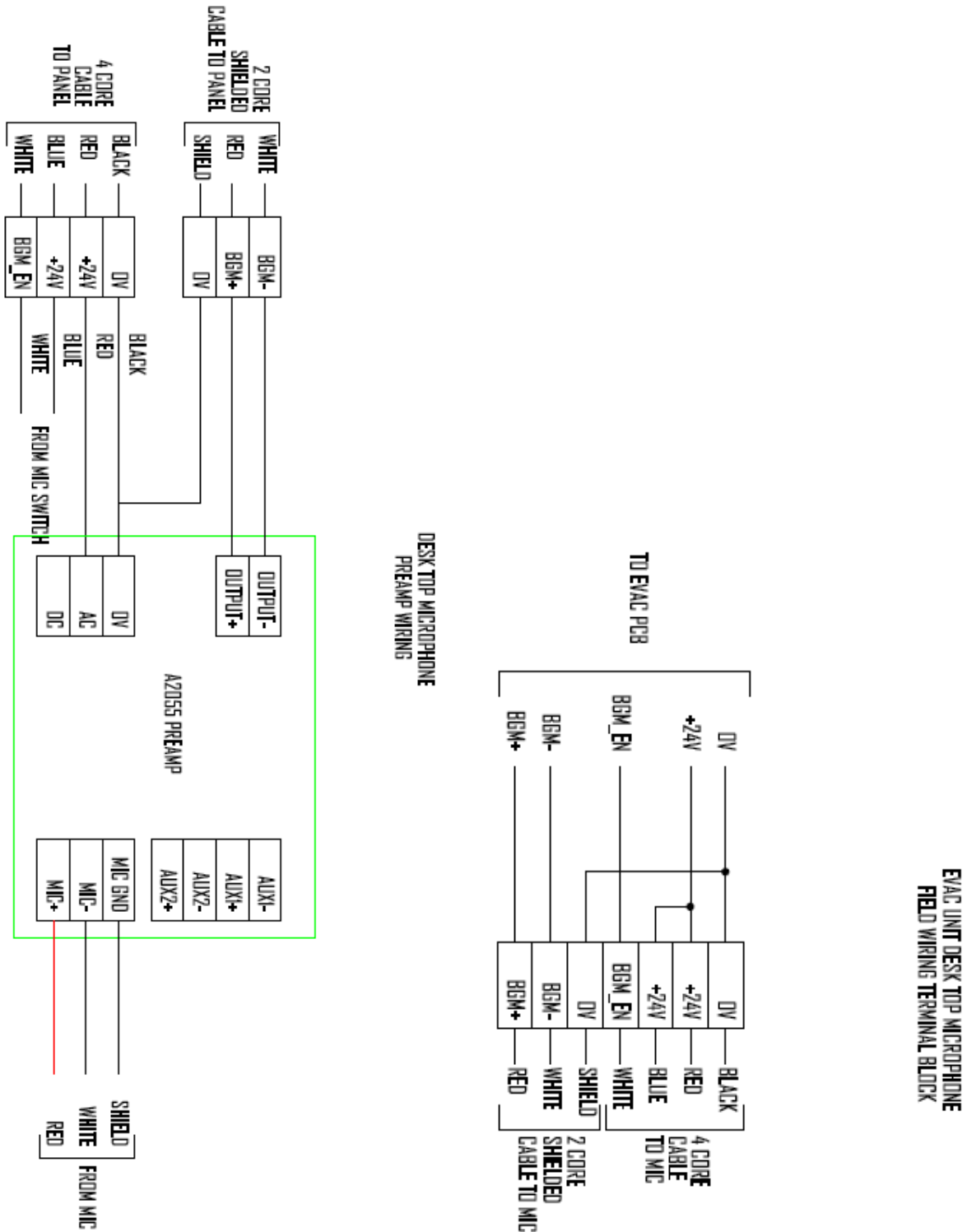


Unit 6  
16 Lexington Drive  
Bella Vista NSW 2153  
Australia

PO Box 7026  
Baulkham Hills BC  
NSW 2153  
Australia

tel 02 8850 2888  
fax 02 8850 2999  
www.firesense.com.au

## OWS Desktop Microphone For Paging



Distributors For:



Unit 6  
16 Lexington Drive  
Bella Vista NSW 2153  
Australia

PO Box 7026  
Baulkham Hills BC  
NSW 2153  
Australia

tel 02 8850 2888  
fax 02 8850 2999  
www.firesense.com.au