

Features:

- 80 character liquid crystal display
- Can be remotely located up to 500 metres from the control panel
- Displays Alarms, Faults and Isolates
- Local sounder mute button
- Up to 32 LCD-80 units may be connected per system
- Automatically recognised by AFP-2800, no programming required
- Flush and surface mount options available.

Description:

The LCD-80 is an alphanumeric display module that acts in terminal mode as a remote display interface to the AFP-2800.

A local buzzer will sound for any alarm or fault (this buzzer can be disabled if required).

The display will automatically show the highest priority event in the FIP event queue. Priorities, in descending order are: alarms, faults and then isolates.

Totals of all Alarms, Faults and Isolates are also shown and are automatically updated every 10 seconds.

Specifications:

Supply Voltage:	10 to 28 VDC
Standby Current:	100 mA
Alarm Current:	100 mA
Dimensions:	210mm H x 110mm W x 45mm D

Mounting Enclosures Available:

Order Code:	Description:
2800-ABF-1D	Recessed metal box – Perspex door, 003 key
2800-ABS1	Metal surface mount box
2800-ABS-1T	Metal surface mount box with trim

The 2800-ABF-1D is a semi-flush-mount back box for the FireSense LCD-80 series annunciator. The ABF-1D mounts one LCD-80. The dimensions for the ABF-1D are as follows:

Box only:	250mm H x 118 mm W x 65 mm D
With Door:	270mm H x 150 mm W x 85 mm D

Connection Information:

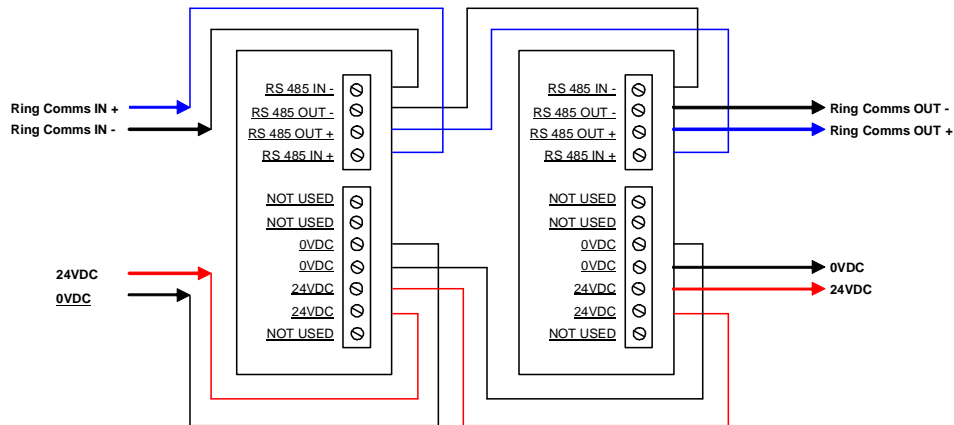
Distributors For:



Unit 6
16 Lexington Drive
Bella Vista NSW 2153
Australia

PO Box 7026
Baulkham Hills BC
NSW 2153
Australia

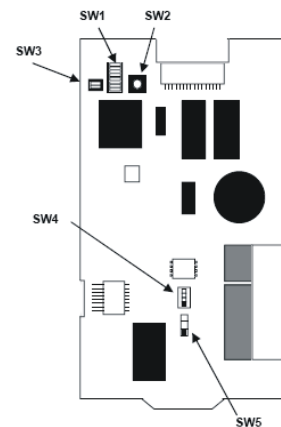
tel 02 8850 2888
fax 02 8850 2999
www.firesense.com.au



Sounder:

Dip Switch Settings for SW1:

	ON	OFF
SW1-1	Sounder on Alarm	No Sounder on Alarm
SW1-2	Sounder on Fault	No Sounder on Fault
SW1-3	Sounder on Isolate	No Sounder on Isolate
SW1-4	Not Used	Not Used
SW1-5	Not Used	Not Used
SW1-6	Not Used	Not Used
SW1-7	Not Used	Not Used
SW1-8	Not Used	Not Used



Addressing:

SW2 and SW3 set the address as per the table below (up to 32 LCD-80s can be used with each AFP-2800):

SW3-1	SW3-2	SW2	Actual Address
OFF	OFF	1-9	201-209
ON	OFF	0-9	210-219
OFF	ON	0-9	220-229
ON	ON	0-2	230-232

Once connected to panel the LCD-80 will be automatically detected and added, no programming required. Setting all switches to off will take the LCD-80 offline.

Note: Switches SW4 and SW5 must always be set for ACS mode in the UP position.

Distributors For:



Unit 6
16 Lexington Drive
Bella Vista NSW 2153
Australia

PO Box 7026
Baulkham Hills BC
NSW 2153
Australia

tel 02 8850 2888
fax 02 8850 2999
www.firesense.com.au