



Features:

- Simplified installation (common mounting base)
- Detector "Clicks" onto sounder/strobe
- Loop Powered
- Up to 60 Per Loop
- 95dB Sound Output

Description:

The KAC-ABS32WR is an addressable sounder & strobe designed for mounting under an addressable detector which is connected to the FireSense 2800 addressable fire alarm system.

A standard mounting base (KAC-LPBW) is used for cable terminations. The addressable sounder/strobe "clicks" onto the mounting base and then the addressable detector "clicks" onto the sounder/strobe making installation simple and efficient. No standard detector base is required.

The sounder/strobe uses a module address and is powered from the addressable loop. Each sounder/strobe can be individually controlled by the 2800 panel software. Up to 99 sounders/strobes can be installed on each addressable loop and up to 25 can be activated at once.

The Sounder/strobe is addressed via 2 rotary wheels on the rear of the sounder and dip switches are used to select different tones and volumes.

Specifications:

Supply Voltage:	15 to 32 VDC
Standby Current:	110 μ A
Max. Current Consumption:	<9 mA
Max. Output Power:	95dB(A) +/-3dB
Operating Temperature:	-25°C to 70°C

Dip Switch Settings:

SW1-5 – Tone Selection:

	Frequency	Description	SW1	SW2	SW3	SW4	SW5
DEFAULT	970Hz	Continuous	ON	ON	ON	OFF	OFF
ISO – T3	400-1200Hz	(0.5s ON 0.5s OFF) x 3, 1.5s OFF	OFF	OFF	ON	OFF	ON
ISO – T3	950Hz*	(0.5s ON 0.5s OFF) x 3, 1.5s OFF	OFF	ON	OFF	OFF	ON

* Recommended

SW6-7 – Volume

Distributors For:



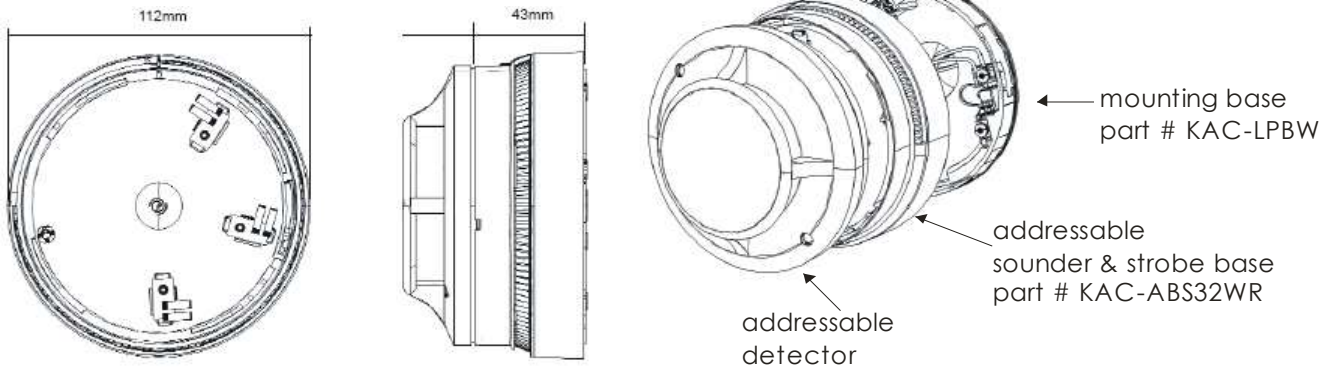
Unit 6
16 Lexington Drive
Bella Vista NSW 2153
Australia

PO Box 7026
Baulkham Hills BC
NSW 2153
Australia

tel 02 8850 2888
fax 02 8850 2999
www.firesense.com.au

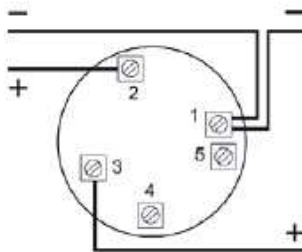
Volume Setting	SW6	SW7
LOW	ON	OFF
MED	ON	ON
HIGH	OFF	ON
	OFF	OFF

Physical Layout:



Connection Information:

KAC-LPBW Mounting Base (required):



Terminal	Function
1	Loop Negative In & Out
2	Loop Positive In
3	Loop Positive Out
4	Remote LED

Important Note:

Requires version 5.0 FireSense 2800 CPU software
 Requires Version 2.11 FireSense 2800 LCM Software

Distributors For:



Unit 6
 16 Lexington Drive
 Bella Vista NSW 2153
 Australia

PO Box 7026
 Baulkham Hills BC
 NSW 2153
 Australia

tel 02 8850 2888
 fax 02 8850 2999
www.firesense.com.au